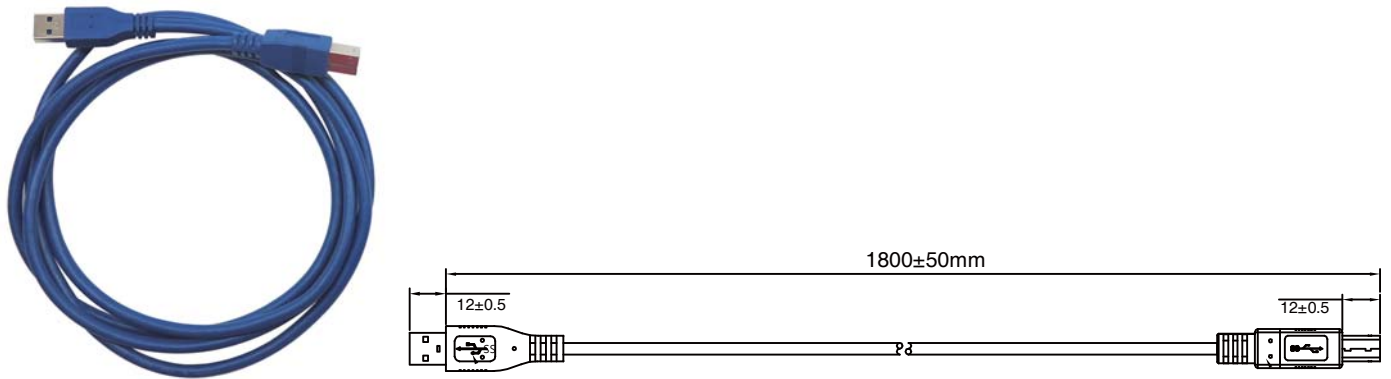


USB3.0 Cable



USB 3.0 AM to USB 3.0 BM Cable; BLUE; L=1800mm

Item number : CBUSBABXXNBA

Technical data

100% Open & Short Testing

Withstanding Voltage: Dc 300v 0.1sec

Insulation Resistance: 5m Ohms (Min)

Conductive Resistance: 0.5 Ohms (Max)

Temperature Rating :80°C

Spark Test: Ac- 500v / 0.15 Sec Min.

Dielectric Strength : Ac- 750v/1sec Min.

Data sheet 2020 Apr.